



TYPICAL MOTOR PERFORMANCE DATA

Model: MEGP01506D3TBL

Serie: IEC Graphene

Issued Date	11/14/2022	Doc. #	382-R0
Issued By	LD	Issued Rev	0

HP	kW	Pole	FL RPM	Frame	Voltage	Hz	Phase	FL Amps
200	150	6	1195	355M	230/380/460	60	3	478/277/239
Enclosure	IP	Ins. Class	S.F.	Duty	Nom. Eff.	IEC Design	kVA Code	Ambient Temp. (°C)
TEFC	55	F (*)	1.15	S1	IE3-95.8	N	-	40

* Inverter Duty

Load	HP	kW	Amperes	Efficiency (%)	Power Factor (%)
Full Load	200	150	239.0	95.8	86.0
¾ Load	150	112.5	187.0	95.5	82.6
½ Load	100	75	140.0	94.6	74.3
¼ Load	50	37.5	102.0	91.7	52.5
No Load			84.0		27.1
Locked Rotor			1851.0		0.3

Torque				Rotor Inertia
Full Load (N-m)	Locked Rotor (% FLT)	Pull Up (% FLT)	Break Down (% FLT)	(Kg-m²)
1195	218.0	166.0	319.0	9.8153

Safe Stall Time(s) Cold / Hot	Sound Pressure dB(A) @ 1M	Bearings*		Approx. Motor Weight (kg)
		DE	NDE	
39.6/23.1	-	6322C3	6322C3	1497

*Bearings are the only recommended spare part(s).

Included Accessories:

PTC Thermistor

All characteristics are average expected values.

Engineering		Doc. Written By		Doc.# / Rev	MEGP01506D3TBL
Engr. Date		Doc. Approved By		Doc. Issued	



Issued Date	11/14/2022	Doc. #	382-R0
Issued By	LD	Issued Rev	0

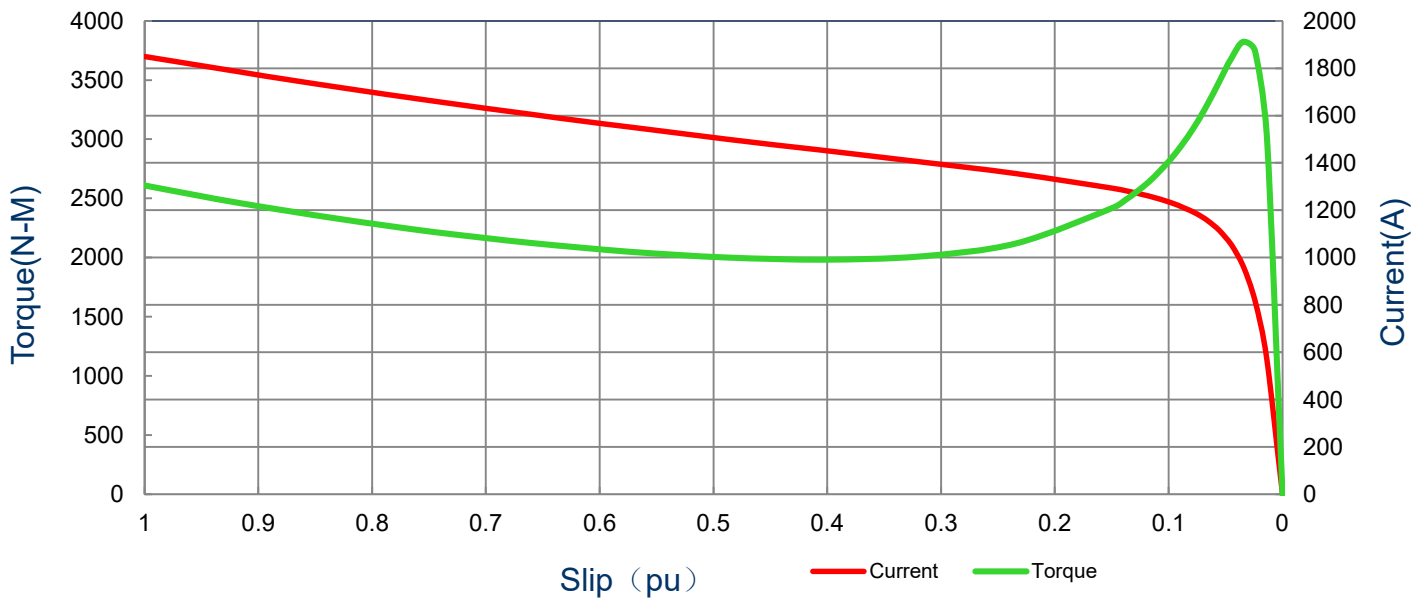
SPEED TORQUE/CURRENT CURVE

Model: MEGP01506D3TBL

Serie: IEC Graphene

HP	kW	Pole	FL RPM	Frame	Voltage	Hz	Phase	FL Amps
200	150	6	1195	355M	230/380/460	60	3	478/277/239
Enclosure	IP	Ins. Class	S.F.	Duty	Nom. Eff.	IEC Design	kVA Code	Ambient Temp. (°C)
TEFC	55	F (*)	1.15	S1	IE3-95.8	N	-	40
Locked Rotor Amps	Rotor Inertia (Kg-m2)	Torque						
		Full Load (N-m)	Locked Rotor (%)	Pull Up (%)	Break Down (%)			
1851	9.8153	1195	218.0	166.0	319.0			

Current vs Slip Curve and Torque vs Slip Curve



All characteristics are average expected values.

Engineering		Doc. Written By		Doc.# / Rev	MEGP01506D3TBL
Engr. Date		Doc. Approved By		Doc. Issued	

Issued Date	11/14/2022	Doc. #	382-R0
Issued By	LD	Issued Rev	0

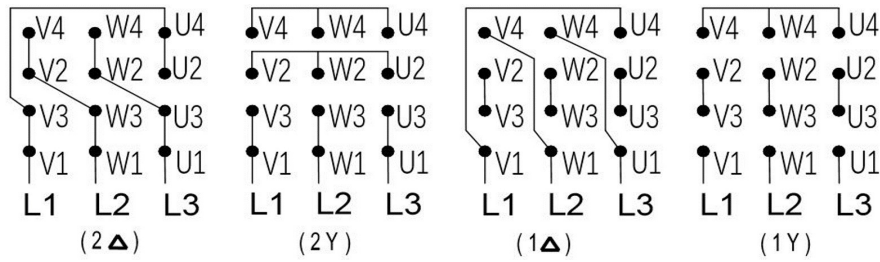
Motor Connection Diagram

Model: MEGP01506D3TBL

Serie: IEC Graphene

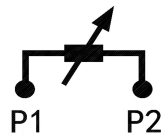
HP	kW	Pole	FL RPM	Frame	Voltage	Hz	Phase	FL Amps
200	150	6	1195	355M	230/380/460	60	3	478/277/239
Enclosure	IP	Ins. Class	S.F.	Duty	Nom. Eff.	IEC Design	kVA Code	Ambient Temp. (°C)
TEFC	55	F (*)	1.15	S1	IE3-95.8	N	-	40

12 Leads Connection Diagram



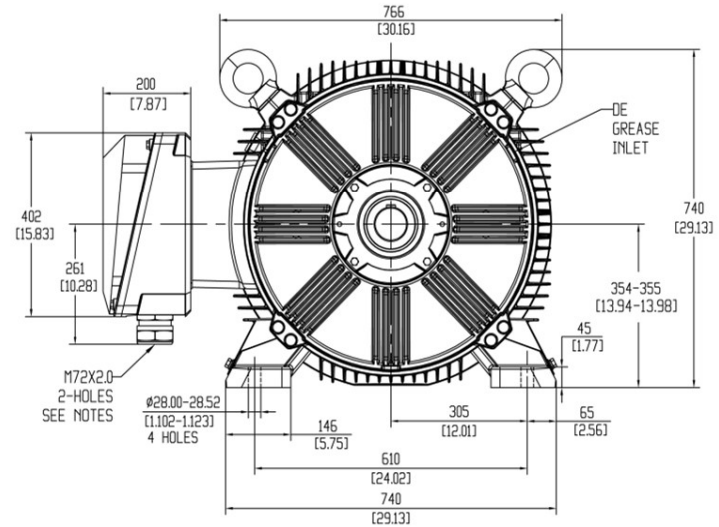
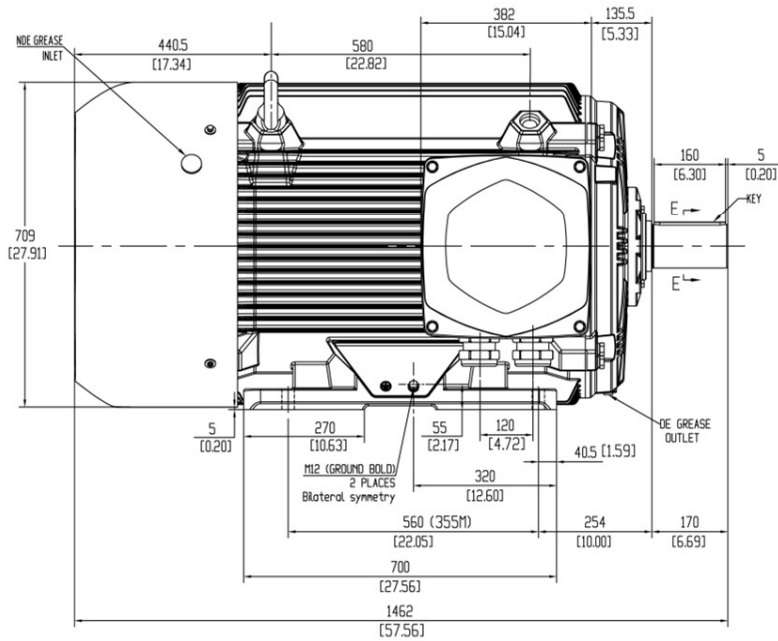
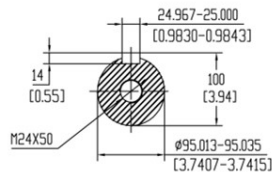
Y- Only Start

PTC Diagram



All characteristics are average expected values.

Engineering		Doc. Written By		Doc.# / Rev	MEGP01506D3TBL
Engr. Date		Doc. Approved By		Doc. Issued	



Units: mm (in)		PROPRIETARY INFORMATION We reserve all rights in this document and in the information contained therein. Reproduction, use or disclosure to third parties without express authorization is strictly forbidden. Offenders will be held liable for payment of damages.	Notes:		
ROTATION FROM DE			1. MAIN CONDUIT BOX MAY BE ROTATED IN 90 DEGREE INCREMENTS		
CCW	CW		2. STANDARD PRODUCT USES BI-DIRECTIONAL FAN. OPPOSITE ROTATION		
			AVAILABLE ONLY BY CONNECTION CHANGE.		
	X				
TASHIDA RESERVES THE RIGHT TO MAKE CHANGES OF TECHNICAL IMPROVEMENT AND THE DATA MAY CHANGE WITHOUT NOTICE				PRELIMINARY	
DO NOT USE FOR CONSTRUCTION, INSTALLATION, OR APPLICATION PURPOSES UNLESS THE DRAWING IS MARKED AS CERTIFIED				X CERTIFIED	
<h1>Tashida</h1>		TOTALLY ENCLOSED FAN COOLED HORIZONTAL FOOT MOUNTED 3 PHASE INDUCTION MOTOR		Drawing #: MEGP01506D3TBL	
				Rev. Date: 11/14/2022	Rev. #: 0
		Standard: IEC-60034	Mount.: IMB3		
		Frame: 355M	LHS	Per.:	LD