



TYPICAL MOTOR PERFORMANCE DATA

Model: MEGP00552D2TBL

Serie: IEC Graphene

Issued Date	11/14/2022	Doc. #	382-R0
Issued By	LD	Issued Rev	0

HP	kW	Pole	FL RPM	Frame	Voltage	Hz	Phase	FL Amps
75	55	2	3558	250M	230/380/460	60	3	173/101/86.6
Enclosure	IP	Ins. Class	S.F.	Duty	Nom. Eff.	IEC Design	kVA Code	Ambient Temp. (°C)
TEFC	55	F (*)	1.15	S1	IE2-93.0	N	-	40

* Inverter Duty

Load	HP	kW	Amperes	Efficiency (%)	Power Factor (%)
Full Load	75	55	81.8	93.9	93.9
¾ Load	56.25	41.25	61.9	94.1	93.0
½ Load	37.5	27.5	42.8	93.9	89.7
¼ Load	18.75	13.75	25.8	91.9	76.2
No Load			18.2		46.6
Locked Rotor			571.0		0.5

Torque				Rotor Inertia
Full Load (N-m)	Locked Rotor (% FLT)	Pull Up (% FLT)	Break Down (% FLT)	(Kg-m ²)
148	166.5	166.5	309.6	0.44658

Safe Stall Time(s)	Sound Pressure dB(A) @ 1M	Bearings*		Approx. Motor Weight (kg)
		DE	NDE	
Cold / Hot				
2 Cold or 1 Hot	-	6313/C3	6313/C3	420

*Bearings are the only recommended spare part(s).

Included Accessories:

All characteristics are average expected values.

Engineering		Doc. Written By		Doc.# / Rev	MEGP00552D2TBL
Engr. Date		Doc. Approved By		Doc. Issued	



Issued Date	11/14/2022	Doc. #	382-R0
Issued By	LD	Issued Rev	0

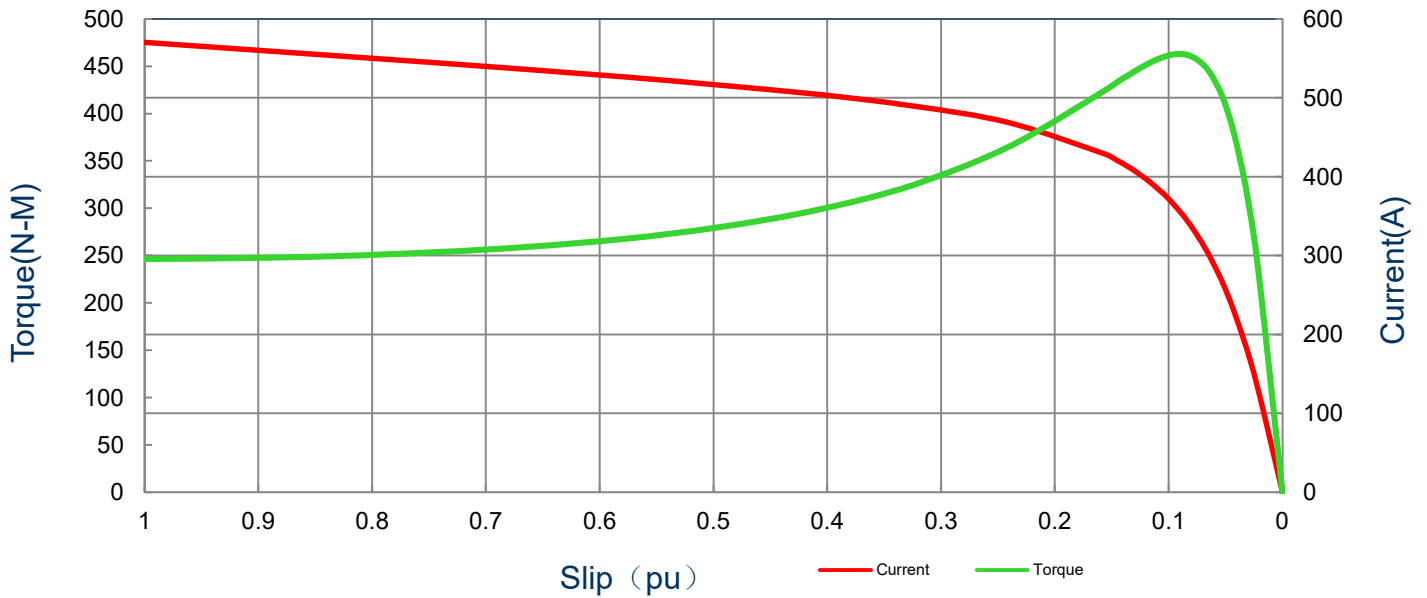
SPEED TORQUE/CURRENT CURVE

Model: MEGP00552D2TBL

Serie: IEC Graphene

HP	kW	Pole	FL RPM	Frame	Voltage	Hz	Phase	FL Amps
75	55	2	3558	250M	230/380/460	60	3	173/101/86.6
Enclosure	IP	Ins. Class	S.F.	Duty	Nom. Eff.	IEC Design	kVA Code	Ambient Temp. (°C)
TEFC	55	F (*)	1.15	S1	IE2-93.0	N	-	40
Locked Rotor Amps	Rotor Inertia (Kg-m2)	Torque						
		Full Load (N-m)	Locked Rotor (%)	Pull Up (%)	Break Down (%)			
571	0.44658	148	166.5	166.5	309.6			

Current vs Slip Curve and Torque vs Slip Curve



All characteristics are average expected values.

Engineering		Doc. Written By		Doc.# / Rev	MEGP00552D2TBL
Engr. Date		Doc. Approved By		Doc. Issued	

Issued Date	11/14/2022	Doc. #	382-R0
Issued By	LD	Issued Rev	0

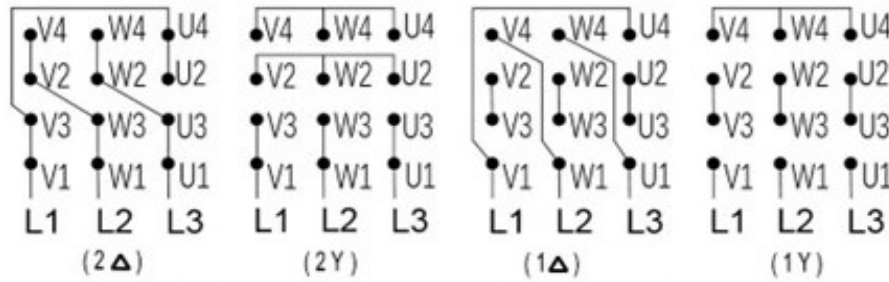
Motor Connection Diagram

Model: MEGP00552D2TBL

Serie: IEC Graphene

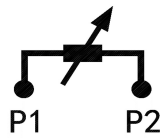
HP	kW	Pole	FL RPM	Frame	Voltage	Hz	Phase	FL Amps
75	55	2	3558	250M	230/380/460	60	3	173/101/86.6
Enclosure	IP	Ins. Class	S.F.	Duty	Nom. Eff.	IEC Design	kVA Code	Ambient Temp. (°C)
TEFC	55	F (*)	1.15	S1	IE2-93.0	N	-	40

12 Leads Connection Diagram



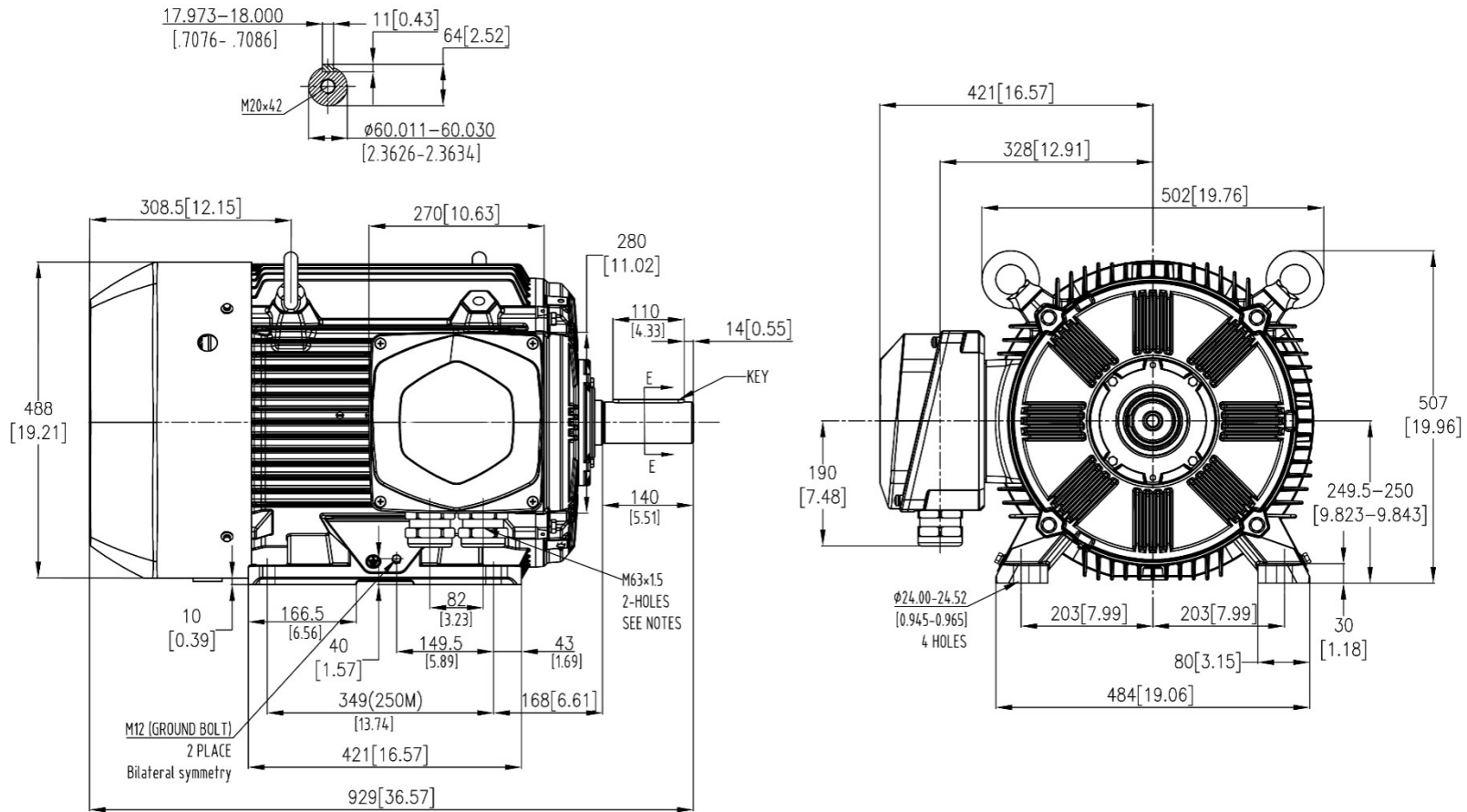
Y- Only Start

PTC Diagram



All characteristics are average expected values.

Engineering		Doc. Written By		Doc.# / Rev	MEGP00552D2TBL
Engr. Date		Doc. Approved By		Doc. Issued	



Units: mm (in)		PROPRIETARY INFORMATION We reserve all rights in this document and in the information contained therein. Reproduction, use or disclosure to third parties without express authorization is strictly forbidden. Offenders will be held liable for payment of damages.	Notes:							
ROTATION FROM DE			1. MAIN CONDUIT BOX MAY BE ROTATED IN 90 DEGREE INCREMENTS							
CCW	CW		2. STANDARD PRODUCT USES BI-DIRECTIONAL FAN. OPPOSITE ROTATION							
			AVAILABLE ONLY BY CONNECTION CHANGE.							
	X									
TASHIDA RESERVES THE RIGHT TO MAKE CHANGES OF TECHNICAL IMPROVEMENT AND THE DATA MAY CHANGE WITHOUT NOTICE					PRELIMINARY					
DO NOT USE FOR CONSTRUCTION, INSTALLATION, OR APPLICATION PURPOSES UNLESS THE DRAWING IS MARKED AS CERTIFIED					X CERTIFIED					
<h1>Tashida</h1>			TOTALLY ENCLOSED FAN COOLED HORIZONTAL FOOT MOUNTED 3 PHASE INDUCTION MOTOR			Drawing #:		MEGP00552D2TBL		
						Rev. Date:		11/14/2022		Rev. #:
			Standard:		IEC-60034		Mount.:		IMB3	
			Frame		250M		LHS		Per.:	